

Flexible duct connectors with steel flanges

ILA-FLS



Description

ILA-FLS flexible duct connectors are based on ILA units provided with additional FLS steel flanges to improve their stiffness. They are most often used for connecting air handling units, heat recuperation units, and duct fans. The flexible duct connector deadens the vibration generated by the equipment to prevent vibration and noise in the ductwork and ensure improved acoustic performance of the ventilation system. The flexible piece is made from AMT balancing tape, a standalone product available in different sizes and materials, including a heat-resistant version.

Available materials - Product code example

ILA-K... – galvanized steel sheet

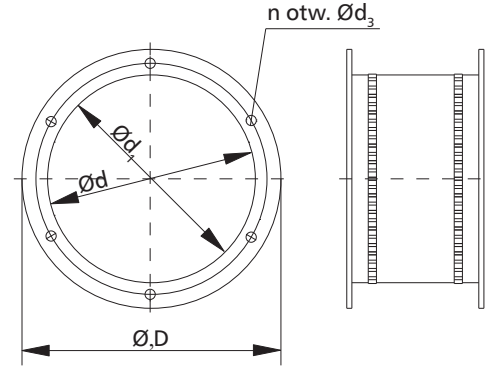
ILA-FLS-K-... - 1.4301/304 stainless steel sheet

Product code example

Product code: **ILA-FLS - aaa**

type _____
 $\varnothing d_1$ _____

Dimensions



$\varnothing d_1$ [mm]	$\varnothing D$ [mm]	$\varnothing d_2$ [mm]	$\varnothing d_3$ [mm]	n
80	132	112	9.5	4
100	152	132	9.5	4
125	177	157	9.5	4
140	192	172	9.5	6
150	202	185	9.5	6
160	212	192	9.5	6
180	232	212	9.5	6
200	253	233	9.5	6
224	277	257	9.5	6
250	303	283	9.5	6
280	343	317	9.5	8
300	363	339	9.5	8
315	378	352	9.5	8
355	418	392	9.5	8
400	464	438	9.5	8
450	514	488	9.5	8
500	564	538	9.5	8
560	634	600	9.5	12
600	676	641	9.5	12
630	704	670	9.5	12
710	784	750	9.5	12
800	874	840	9.5	16

Length sizes available on request: 100, 120, 210 mm.

L = 135 (standard)

L₁ = 75 (standard)