

Duct electric heater for HRU-PremAIR RAHU

HRQ-PremAIR-HDE /-HDE-CO1



Description

HRQ-PremAIR-HDE and HRQ-PremAIR-HDE-CO1 round duct electric heaters are designed for ventilation systems with HRU-PremAIR residential air handling unit to use as pre-heaters - serve as additional (optional) frost protection for the heat exchanger and therefore allow the unit to work in a balanced way even during heavy winter conditions.

The casing is made from galvanised steel sheet, the heating elements are made from stainless steel. Heaters are equipped in a two-stage overheat protection. The first thermostat is an automatic-reset temperature limiter set to trip at +60°C. The other thermostat is a manual temperature limiter set to trip



at +90°C (once tripped, this device needs to be reset by hand). Ducted electric heaters feature EPDM gaskets at the male connection ends and a 3m long power cord with a dedicated plug for HRU-PremAIR units. HRQ-PremAIR-HDE-CO1 has additionally a single contractor.

Detailed installation instructions are described in the manual.

Available versions:

HRQ-PremAIR-HDE-160-1,5 - heater with Ø160 connection, heating capacity 1,5kW, powered and controlled by the HRU-PremAir unit

HRQ-PremAIR-HDE-CO1-160-2,5 - heater with Ø160 connection, heating capacity 2,5kW, single contractor, controlled by the HRU-PremAir unit, powered from the mains

Product code example

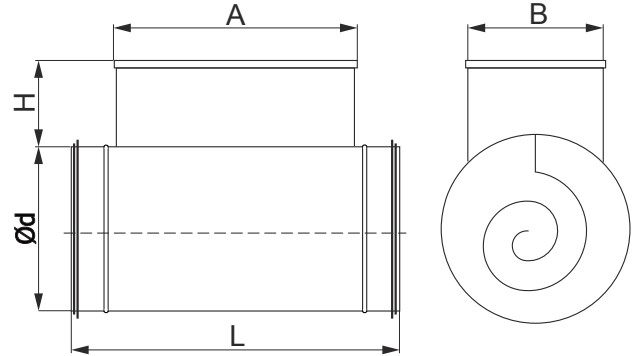
Product code: **HRQ-PremAIR-HDE-160 - 1,5**

type

power factor



Dimensions



Type	Ød [mm]	A [mm]	B [mm]	H [mm]	L [mm]
HRQ-PremAIR-HDE-160-1,5	160	280	120	110	380
HRQ-PremAIR-HDE-CO1-160-2,5	160	280	120	110	420

Technical data

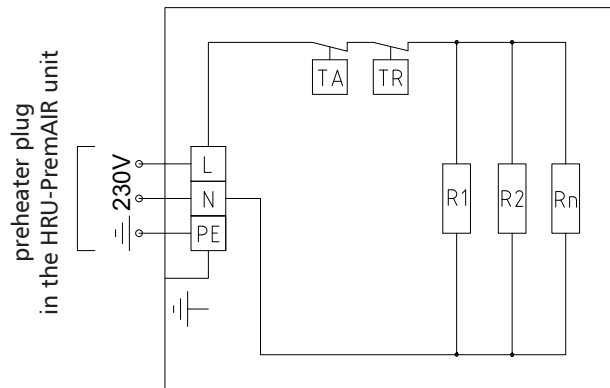
Type	Power [W]	Voltage [V]	No. of heating elements	No. of contractors
HRQ-PremAIR-HDE-160-1,5	1500	230	3	0
HRQ-PremAIR-HDE-CO1-160-2,5	2500	230	5	1

Duct electric heater for HRU-PremAIR RAHU

HRQ-PremAIR-HDE /-HDE-CO1

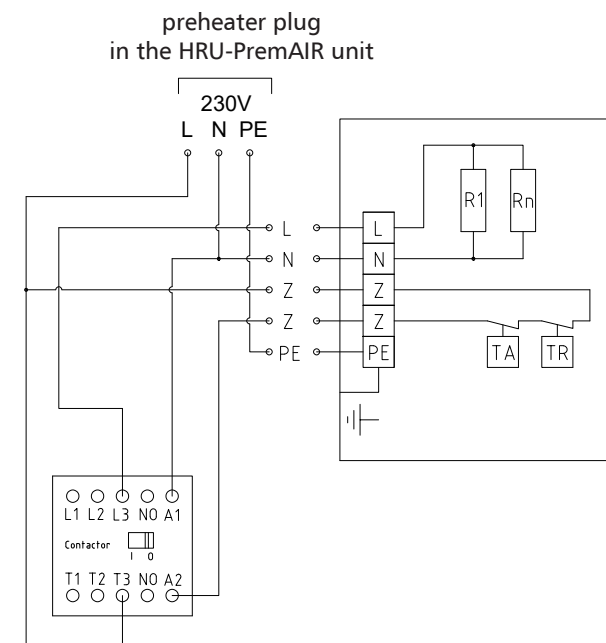
Connection diagrams

Wiring diagram for HRQ-PremAIR-HDE



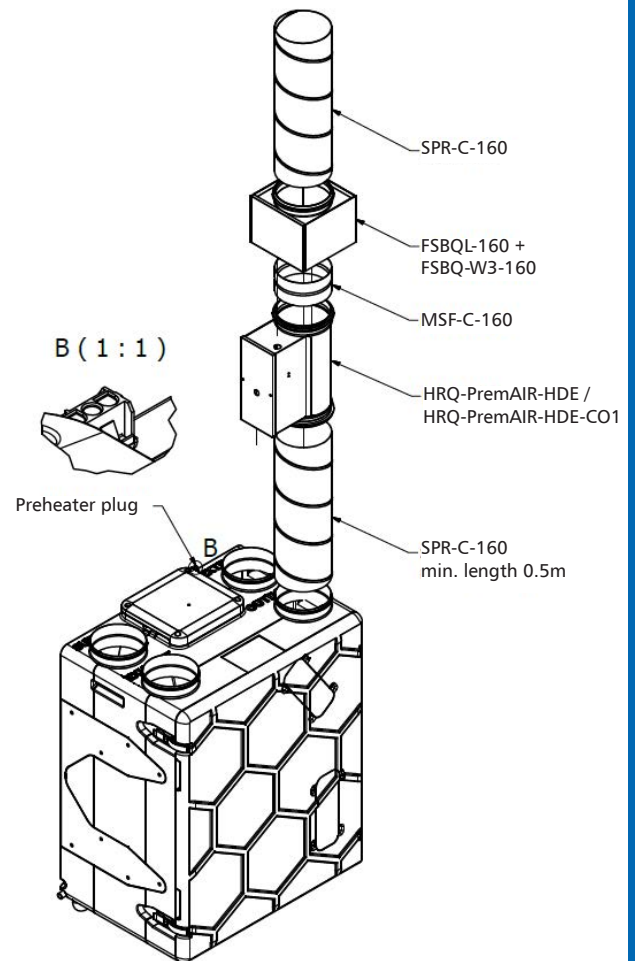
- L, N - 1x230V, 50Hz single phase power supply
- PE - protective conductor
- R1, R2...Rn - heating elements
- TA - overheating protection at +60°C (auto restart)
- TR - overheating protection at +90°C (manual restart)

Wiring diagram for HRQ-PremAIR-HDE-CO



- L, N - 1x230V, 50Hz single phase power supply
- PE - protective conductor
- R1, R2...Rn - heating elements
- Z-Z - overheating protection terminals
- TA - overheating protection at +60°C (auto restart)
- TR - overheating protection at +90°C (manual restart)

Connection drawing



Available combinations



HRQ-PremAIR-HDE-160-1,5

HRU-PremAIR-450



HRQ-PremAIR-HDE-CO1-160-2,5

HRU-PremAIR-450