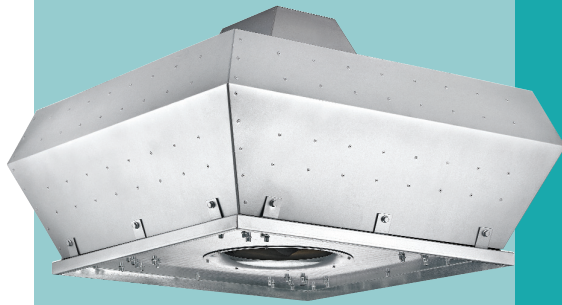


ROOF FANS

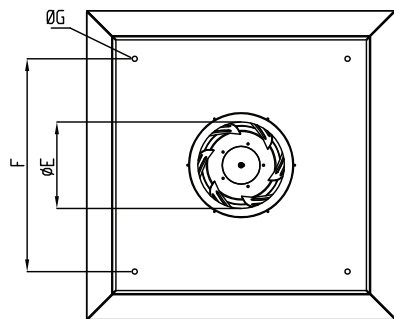
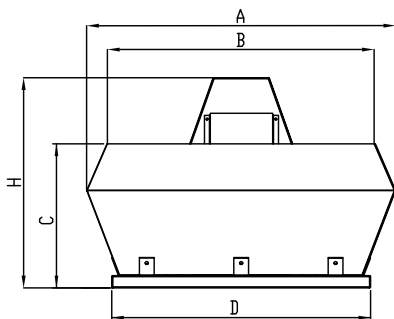


BRDV

AC DIRECT DRIVE ROOF FANS Vertical Outlet

Backward curved and direct coupled motors are used in BRDV vertical outlet radial roof fans. Max. Transferred air temperature is 120°C. Low noise level.

Technical Drawings



MATERIAL : The housing is made of galvanized sheet iron, backward curved impeller is made of galvanized sheet metal.

INSULATION CLASS : Class F

MAX. AIR TEMPERATURE : 120°C

DIRECTIVE : EN 60335-1, EN 60335-2-80

SPEED CONTROL : Speed can be adjusted using an optional controller.

APPLICATION AREAS : The BRDV fan series is perfect to use in residential, commercial and industrial environments, especially where hot air and smoke is needed to be transferred.

Accessories

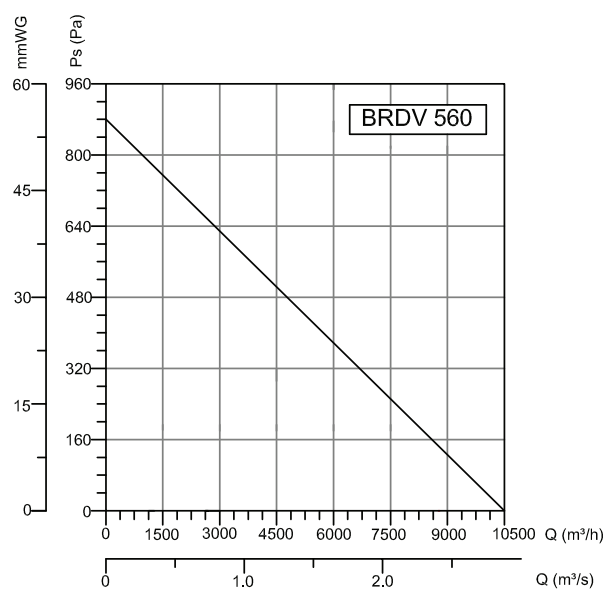
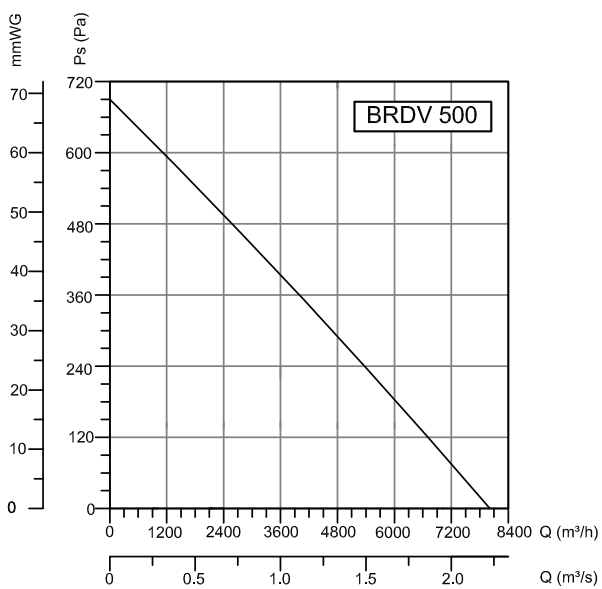
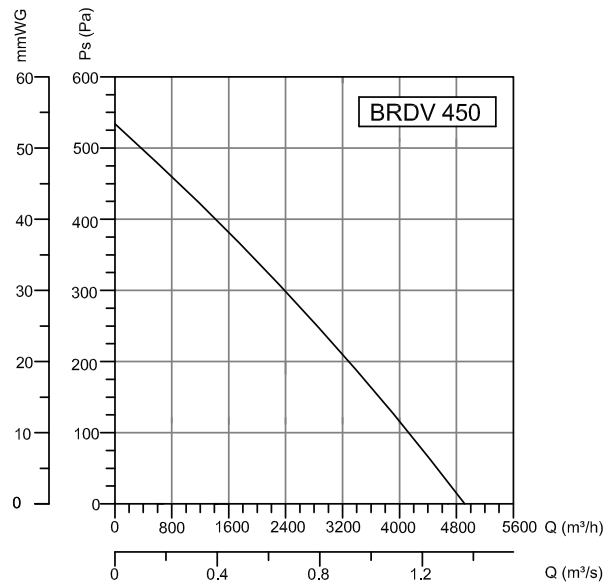
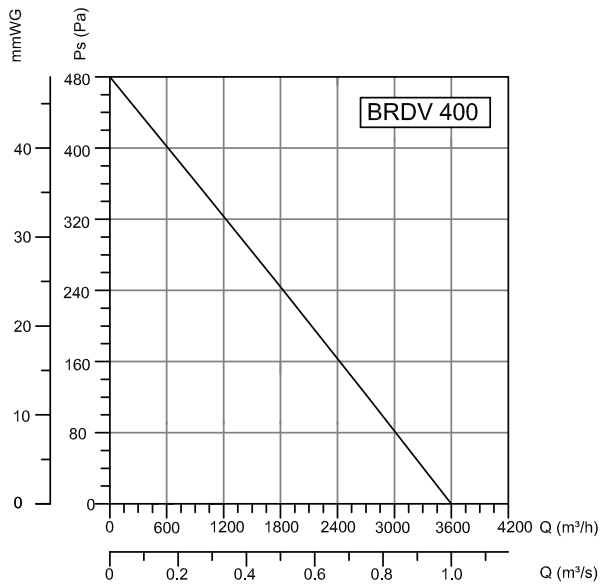
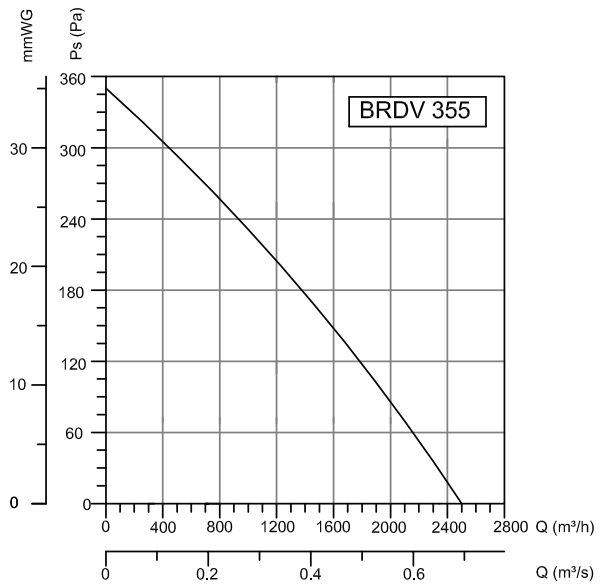
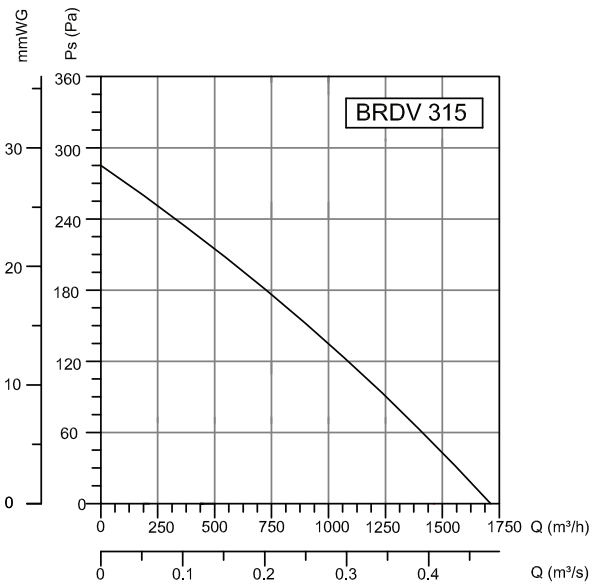


BSC-F

TYPE	VOLTAGE	FREQUENCY	POWER	CURRENT	CAPACITOR	SPEED	AIR FLOW	SOUND PRESSURE LEVEL	WEIGHT
	V	Hz	KW	(A)	(µF)	d/d	m³/h	dB(A)	kg
BRDV 315	230/380	50	0,25	1,8/0,81	10/-	1420	1700	47	22
BRDV 355	230/380	50	0,37	2,6/1,15	12/-	1410	2500	49	27
BRDV 400	230/380	50	0,37	2,6/1,15	12/-	1400	3600	52	33
BRDV 450	380	50	0,75	2	-	1370	5000	54	38
BRDV 500	380	50	1,5	3,5	-	1350	8000	57	49
BRDV 560	380	50	2,2	5,1	-	1350	10500	65	58

TYPE	A	B	C	D	E	F	G	H
BRDV 315	840	730	390	700	185	576	14	575
BRDV 355	840	730	390	700	234	576	14	575
BRDV 400	890	785	425	750	270	576	14	596
BRDV 450	960	850	445	800	282	626	14	655
BRDV 500	1030	910	490	850	320	676	14	720
BRDV 560	1190	960	600	950	360	740	14	850

Dimensions are in (mm)



DUCT FANS

ROOF FANS

AXIAL FANS

RADIAL FANS

PLASTIC FANS

VENTILATORS

SMOKE EXHAUST SYSTEMS

ACCESSORIES