

Wall-mounted non-return air exhaust vent

USMS



Description

USMS air exhaust vent are made entirely from stainless steel sheet product and designed for use in home ventilation systems. The flexible collapsing louvres close the opening when there is no exhaust pressure coming out of the ductwork. The air exhaust vents are installed with screws. The inward sleeve fits round spiral ducts and flexible ducts.

Available materials - Product code examples

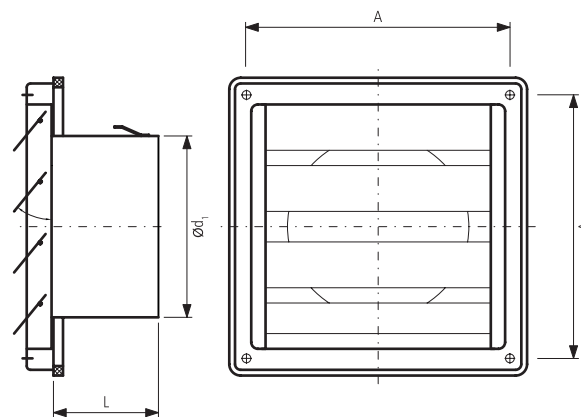
USMS -...- stainless steel

Product code example

Product code: **USMS - aaa**

type _____
 Ød _____

Dimensions



Code	Ød ₁ [mm]	A x A [mm]	L [mm]
USMS-100	100	137x137	52
USMS-125	125	167x167	52
USMS-150	150	167x167	62