

Wall-mounted air intake/exhaust vent with drip and wire mesh **USLA**



Description

USLA air intake/exhaust vents feature a wire mesh on the inside to prevent the ingress of insects. All vents have a rubber seal and fitting clamps for easy installation. The product provides a highly aesthetic finish and a long service life. The product is suitable for outdoor and indoor use.

Available materials - Product code examples

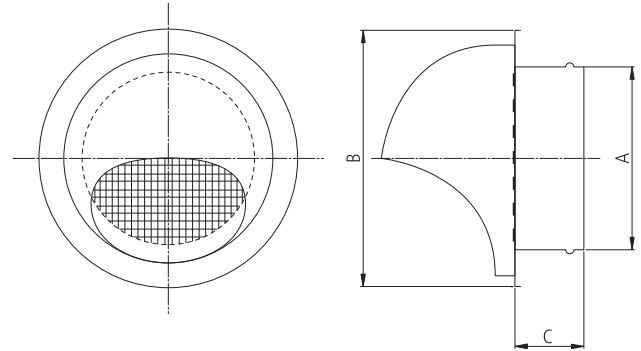
USLA -...- 1.4301/304 stainless steel sheet

Product code example

Product code: **USLA - aaa**

type _____
 Ød _____

Dimensions



Ød (mm)	A (mm)	B (mm)	C (mm)
100	97	133	52
125	120	165	52
150	145	192	62
160	155	192	62
200	195	253	62

Drip styles

USLA air intake vents feature a slim and a wide drip.

