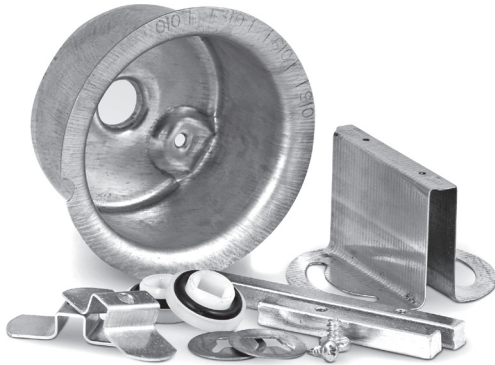


Insulated ventilation damper mechanism

KIT-DS



Description

The KIT-DS ventilation damper mechanism is made from galvanized steel sheet and a number of stainless steel, plastic and rubber parts. The product is intended for the fabrication of ventilation dampers which require a high operating reliability, a neat finish, a 50 mm clearance for ductwork insulation, and air tightness class 4.



Damper mechanisms are sold in sets (25 pcs. each).

Product code:
KIT-DS-100-630-SET25

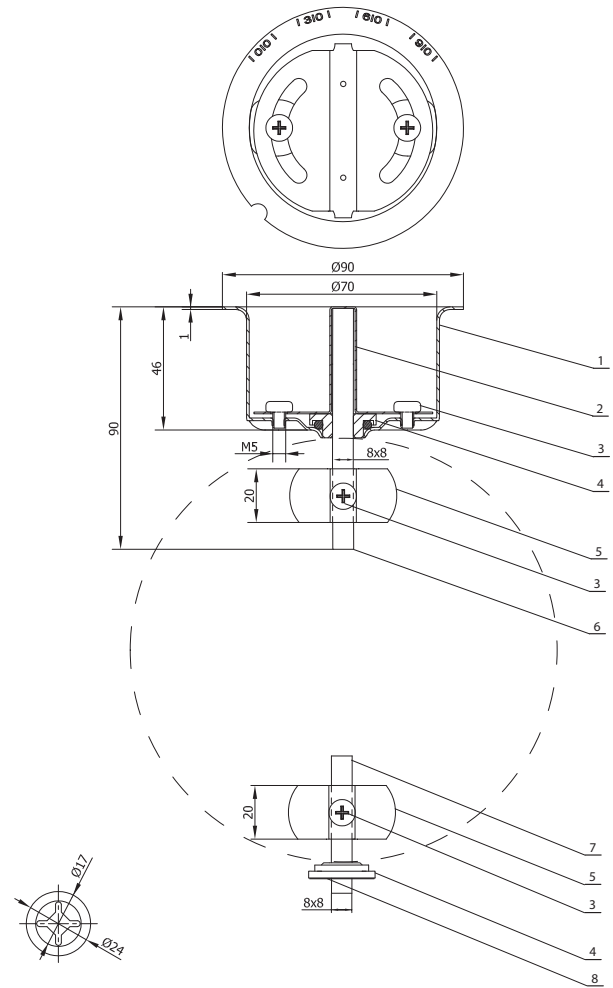
Available materials — Product code examples
KIT-DS - galvanized steel sheet

Product code example

Product code: **KIT-DS-100-630**

type _____

Dimensions



Product code	Diameter size	Material
KIT-DS-100-630	80 - 630	galvanized steel

Number	Product code	Description	Quantity (pcs)
1	KIT-DS-BDY	Housing	1
2	KIT-DS-REG	Regulator	1
3	KIT-DS-SRS-5-5	Bolt, M5x5	4
4	KIT-DS-TUL-USZ	Bearing w/seal	2
5	KIT-DS-UCB	Saddle clamp	2
6	KIT-DS-PRET-L	Long bar, 8x8	1
7	KIT-DS-PRET-S	Short bar, 8x8	1
8	KIT-DS-STW	Washer	1