

# Anti-smog electrostatic precipitator e-MOCarz



## Description

Electrostatic precipitator e-MOCarz was design for residential buildings. Compact size and exceptionally low pressure drop makes it suitable for residential heat recovery systems, with little impact on system performance. **The filtration efficiency of ePM1 and ePM2.5 particles, the main component of smog, is as high as 95%.**

Polluted air initially passes through a steel mesh pre-filter (which retains larger fractions), then is positively ionized in an electric field due to the "crown discharge" effect. In the last stage, the previously charged particles, are pulled by electrostatic force toward horizontally mounted aluminium plates (electrodes) and build up on their surface.

Electrostatic filters (precipitators) have low power consumption (only few Watts), long service life and most of all there's **no need to exchanged dirty (clogged) filters**. It is enough to clean in with water and detergent once or twice a year. There is a led status indicator on the casing.

### Available accessories:

- e-MOCarz-W - renewable electrostatic filter, included in the set
- e-MOCarz-ION - Ionizing module, additionally sterilizing and revitalizing air
- e-MOCarz-CA - Activated carbon module, additional filtration of odors
- e-MOCarz-PR-160 - round Ø160 connector
- e-MOCarz-PR-200 - round Ø200 connector
- e-MOCarz-PR-250 - round Ø250 connector

### Note!

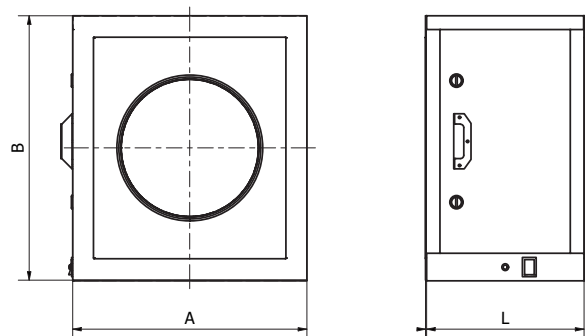
e-MOCarz has a square connection 345x385mm. Choose correct reducers for your circular ducting.

### Product code example

Product code: e-MOCarz

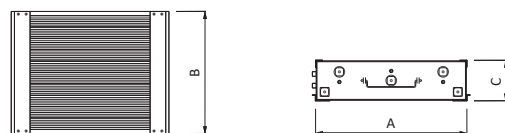
type \_\_\_\_\_

## Dimensions



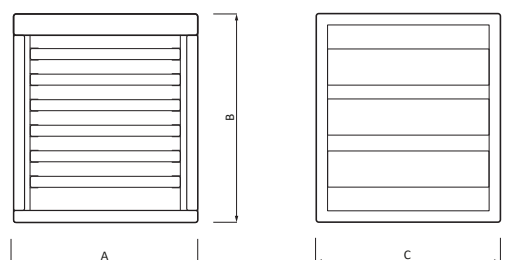
A	B	L
[mm]	[mm]	[mm]
340	385	230

### e-MOCarz-W



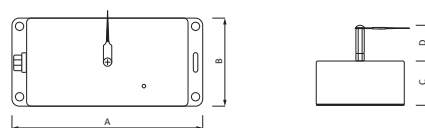
A	B	C
[mm]	[mm]	[mm]
325	283	105

### e-MOCarz-CA



A	B	C
[mm]	[mm]	[mm]
345	385	345

### e-MOCarz-ION



A	B	C	D
[mm]	[mm]	[mm]	[mm]
130	60	30	25

# Anti-smog electrostatic precipitator

## e-MOCarz

### Accessories

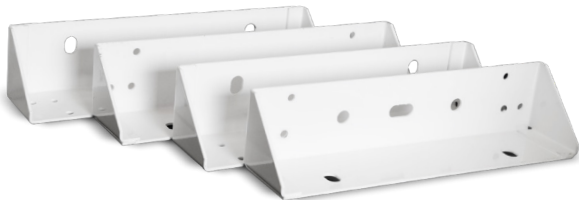
#### e-MOCarz-W

Renewable electrostatic filter, included in the set.



#### Mounting strips (included)

Facilitates device suspension.



#### e-MOCarz-CA (optional)

Module with six cartridges with active carbon for even more accurate air purification (including odors).



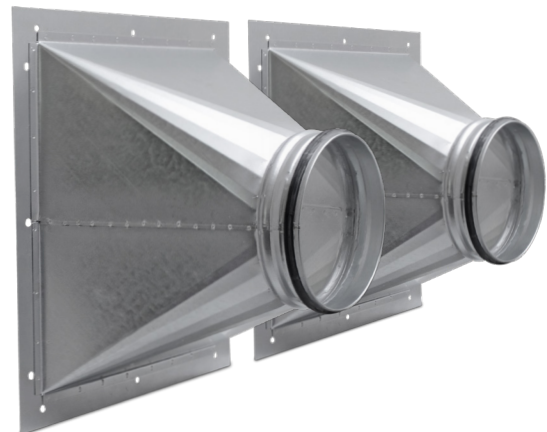
#### e-MOCarz-ION (optional)

Ionizing module, additionally sterilizing and revitalizing air.



#### e-MOCarz-PR-160 /200 /250 (optional)

Round connectors: Ø160, Ø200 and Ø250 mm.



# Anti-smog electrostatic precipitator e-MOCarz

## Technical data

Model	Max air flow [m <sup>3</sup> /h]*	Max filtration efficiency acc. to EN ISO 16890	Power [W]	Weight [kg]
e-MOCarz	720	ePM1 95%	9	11

\*for tested filtration efficiency

### Filtration efficiency for different air flows and air velocity (according to ISO 16890)

ePM1 95% ePM2.5 95%	ePM1 95% ePM2.5 95%	ePM1 90% ePM2.5 95%	ePM1 80% ePM2.5 90%
180 m <sup>3</sup> /h	360 m <sup>3</sup> /h	540 m <sup>3</sup> /h	720 m <sup>3</sup> /h
1 m/s	2 m/s	2.5 m/s	3 m/s

### Pressure drop and filtration efficiency diagrams:

