

Y-piece with gasket YSVL-45



Description

Y-pieces are the best ventilation system components in terms of the air flow distribution. As a result of the uniform air distribution, all ductwork sections operate have the same pressure and flow distribution characteristics. The gaskets installed in the piece meet requirements of air tightness class D according to EN 12237. The piece is most often installed in mechanical and heat recuperation ventilation systems in residential buildings.

YSVL-45 - T-piece with an EPDM gasket and a 45° branch port. Available on request: 15°, 30°, 60°, e.g. YSVL-15- d₁ - d₃ - d₄

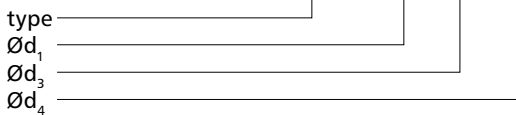
Specify both angles and all tube diameters when ordering. Standard version: d₃=d₄

Available materials - Product code example

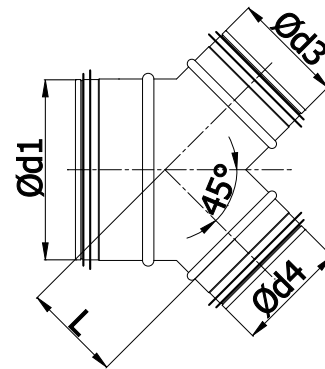
- YSVL-45-... -... -... - galvanized steel sheet
- YSVL-K-45-... -... -... - 1.4301/304 stainless steel sheet
- YSVL-K-45-... -... -... -316L - 1.4404/316L stainless steel sheet, molybdenum-enriched
- YSVL-A-45-... -... -... - AW-1050A H24 aluminium sheet
- YSVL-CU-45-... -... -... - M1E z4 copper sheet
- YSVL-ZM-45-... -... -... - ZM310 coating (only up to a diameter of Ød₁ = 500mm)

Product code example

Product code: **YSVL-45 - aaa - bbb - ccc**



Dimensions



Ød ₁ [mm]	Ød ₃ [mm]	Ød ₄ [mm]	L [mm]	Weight [kg]
80	80	80	70	0.4
100	100	100	80	0.5
125	80	80	90	0.6
125	125	125	90	0.7
140	100	100	90	0.8
150	100	100	100	1.0
150	150	150	105	1.2
160	160	160	115	1.3
180	125	125	120	1.5
200	140	140	140	1.7
200	160	160	140	1.7
200	200	200	140	1.8
250	180	180	170	1.9
250	200	200	170	2.0
250	250	250	170	2.1
280	200	200	200	2.3
300	200	200	200	2.5
315	224	224	210	2.9
315	315	315	210	3.0
355	250	250	225	4.0
400	280	280	250	4.6
400	300	300	250	4.8
450	315	315	280	6.4
500	355	355	310	7.7
560	400	400	350	9.2
600	400	400	370	9.8
630	450	450	400	11.4
710	500	500	450	15.6
800	560	560	500	18.8
900	630	630	550	21.5
1000	710	710	600	31.0
1120	800	800	650	39.0
1250	900	900	700	46.7