

Duct humidifier

HRQ-HUM-HomEvap-200



Description

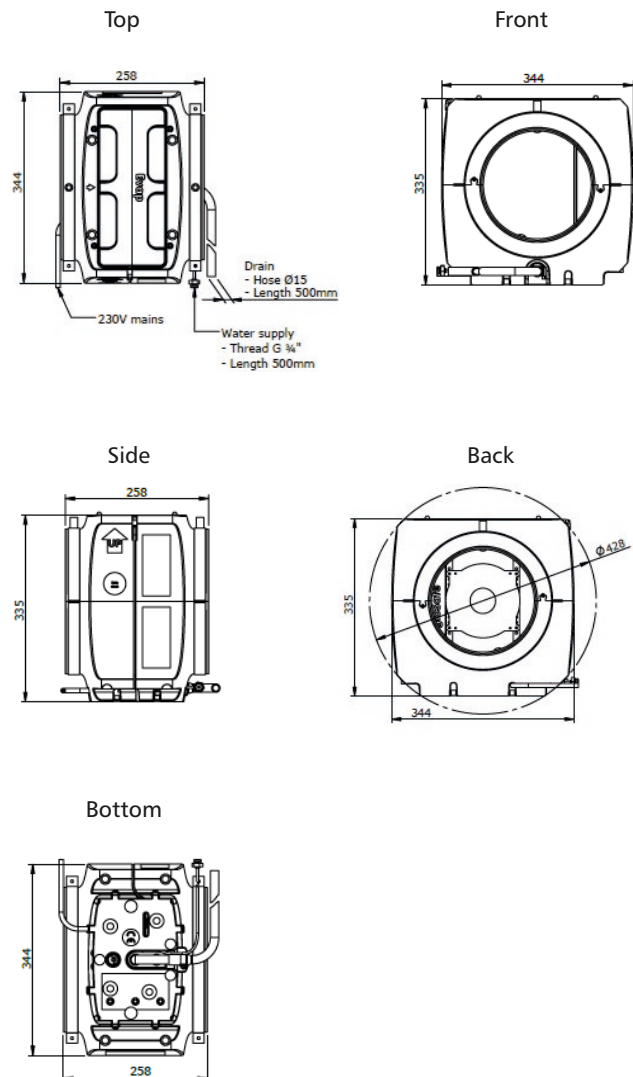
The HomEvap adiabatic humidifier is designed for domestic mechanical ventilation systems with a maximum airflow 600 m³/h. Filtered water (Legiosafe®) naturally evaporates on a special matrix, and then the humidified air is distributed to the ventilation duct system and to the connected rooms. The humidification process is regulated by a wireless room controller and a duct sensor. Built-in PTC heater compensates for temperature losses caused by the evaporation process. The housing is made of EPP, while the matrix is made of fiber glass.

Product code example

Product code: HRQ-HUM-HomEvap-200

type _____

Dimensions



Duct humidifier

HRQ-HUM-HomEvap-200

Technical data

Max airflow:	600 m ³ /h
Humidification capacity:	0-4 l
Voltage:	230V
Power consumption:	10 W
Power consumption with active heater:	810 W
Max water consumption:	5 l/h
Duct diameter:	200 mm
Weight:	3 kg

Installation method

