

# DASLIL

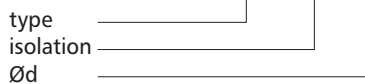


## Description

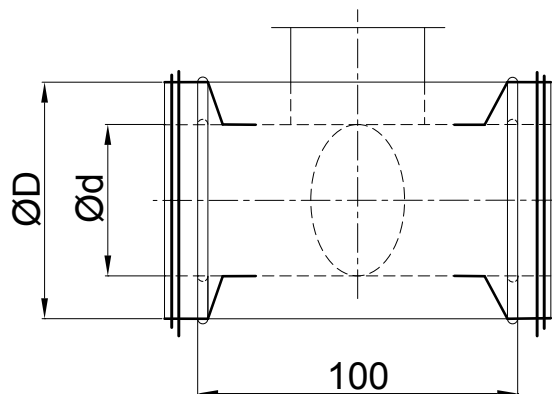
DASLI damper is used where complete closure of the air flow is not required. The damper cup shows the position of the damper blade. The damper blade can be locked with screws.

### Product code example

Product code : **DASLIL - 10 - 200**



## Dimensions



$\varnothing d$ [mm]	$\varnothing D$ [mm]	Weight [kg]
80	100	0.5
100	125	0.6
125	160	0.8
150	180	0.9
160	180	1.0
180	200	1.1
200	224	1.2
224	250	1.5
250	280	1.8