

Pressed plug end for duct with gasket and with handle

# CPSHL



## Description

The plug end is pressed. The plug end has a male end inserted into the duct to blind and seal its end (highest airtightness class - D). The height of the plug end allows for easy screwing of WGO screws without the risk of damaging the double lip of the gasket.



CPSHL plug ends are equipped with a stop fold which prevents inserting the fitting too deep into the duct.



Safe edges (rolled edges) allow the duct installer safer installation of the ductwork, by minimizing the possibility of cuts.



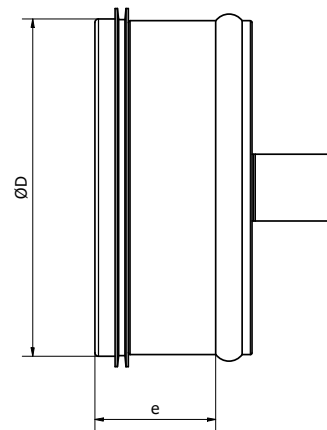
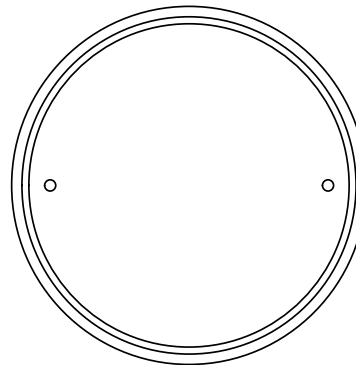
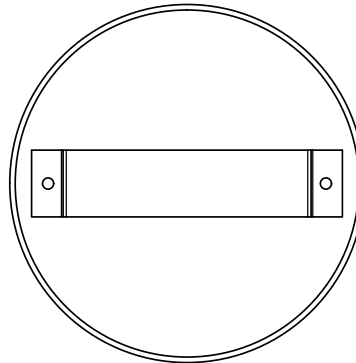
The handle allows for easy installation and removal.

### Product code example

Product code: CPSHL - aaa

typ \_\_\_\_\_  
 Ød \_\_\_\_\_

## Dimensions



$\varnothing d_{nom}$ [mm]	e [mm]
100	34
125	34
160	34