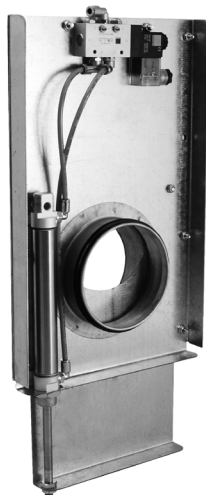


# Round gate damper with pneumatic actuator

## GKML/GKM



### Description

The GKML/GKM round gate dampers with pneumatic actuators are designed for air ventilation and dust extraction systems. The design of the gate damper makes it easier to clean the ductwork as there are no elements within the clear opening. The gate damper provides a tight seal when closed and enables remote control of the opening ratio which can be set in infinitely variable steps.

The solenoid valve of the pneumatic actuator is available for 230 V AC, 24 V AC or 24 V DC power supply - to be specified when ordering.

Recommended installation options:

- GKML/GKM sized  $\leq 200$  mm in diameter: use 1 actuator
- GKML/GKM sized  $> 200$  mm in diameter: use 2 actuators

**GKM** - gate damper with actuator and bare flanges

**GKML** - gate damper with actuator and EPDM gaskets at the flanges, air tightness class D acc. to EN12237

### Technical parameters

Air cylinder:

- control pressure: 0,6 MPa (6 bar)
- max. ambient temp:  $-20^{\circ}\text{C}$  to  $80^{\circ}\text{C}$
- operating medium: treated air

Solenoid valve:

- control pressure: max 7bar
- ambient temperature: max  $50^{\circ}\text{C}$
- supply voltage: 230V
- Ingress protection: IP65

### Available materials — Product code examples

- GKML-... - galvanized steel sheet
- GKML-K-... - 1.4301/304 stainless steel sheet
- GKML-K-...-316L - 1.4404/316L stainless steel sheet
- GKML-A-... - aluminium sheet

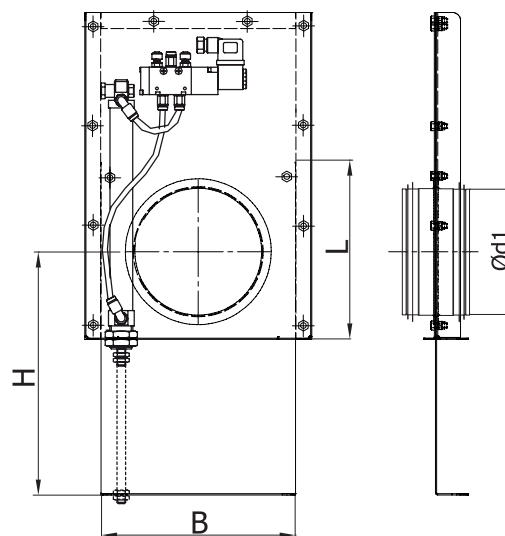
### Product code example

Product code: **GKML** - aaa

type \_\_\_\_\_

$\varnothing d_1$  \_\_\_\_\_

### Dimensions



$\varnothing d_1$ [mm]	A [mm]	B [mm]	C [mm]	D [mm]	Weight [kg]
100	184	210	320	455	3.15
125	209	290	400	555	4.35
150	244	300	405	590	5.05
160	244	300	405	600	5.15
200	315	370	515	750	7.05
400	484	675	915	1355	18.20