

FLX-HOOK-75



Description

Mounting hook for installing on the ground FLX-HDPE-75 semi-rigid ducting with a diameter $\varnothing 75$ mm, used in the ventilation systems with heat recovery. Made of the highest quality polypropylene. White color. Mounting hole diameter $\varnothing 10$.

Available versions:

- FLX-HOOK-75-1 - duct holder for a single duct
- FLX-HOOK-75-2 - duct holder for two ducts

Product code example

Product code: **FLX-HOOK-75 - aaa**

type

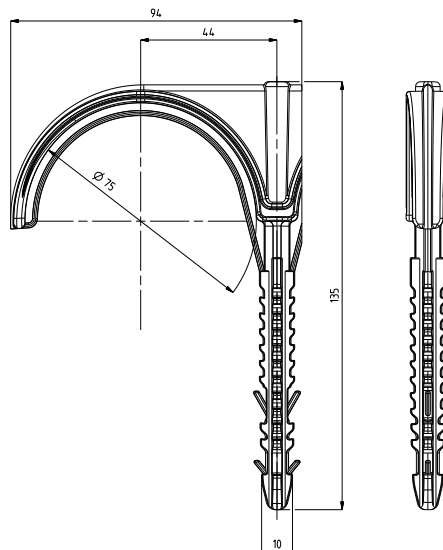
number of ducts

Installation method



Dimensions

FLX-HOOK-75-1



FLX-HOOK-75-2

