

# Shutoff damper with actuator mounting

## DASL-CV



### Description

The DASL-CV shutoff damper with EPDM gaskets at both flange connections is designed for cladding with up to 50 mm thick insulation.

The DASL-CV shutoff damper is a good choice when the ductwork closure does not have to be fully airtight. The damper closure position can be read on the 0° to 90° dial of the control handle. The damper closure opening ratio can be fixed with a screw.

The DASL-CV shutoff damper can be easily adapted for mounting Belimo power actuators. The power actuator must be compatible with the 8x8 mm square bar.

The product has safe edges.

#### Available materials - Product code examples

- DASL-CV-... - galvanized steel sheet
- DASL-CV-K-... - 1.4301/304 stainless steel sheet
- DASL-CV-K-...-316L - 1.4404/316L stainless steel sheet
- DASL-CV-A-... - aluminium sheet\*
- DASL-CV-CU-... - copper sheet

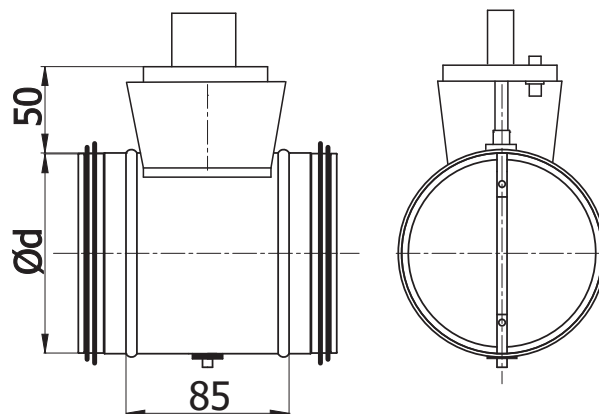
\*KIT-DS.-CV-K damper mechanism

#### Product code example

Product code: **DASL-CV - aaa**

type \_\_\_\_\_  
 Ød \_\_\_\_\_

### Dimensions



Ød [mm]	Weight [kg]
80	0.40
100	0.45
125	0.55
140	0.60
150	0.65
160	0.70
180	0.75
200	0.80
224	0.90
250	1.20
280	1.40
300	1.50
315	1.60
355	2.00
400	2.60